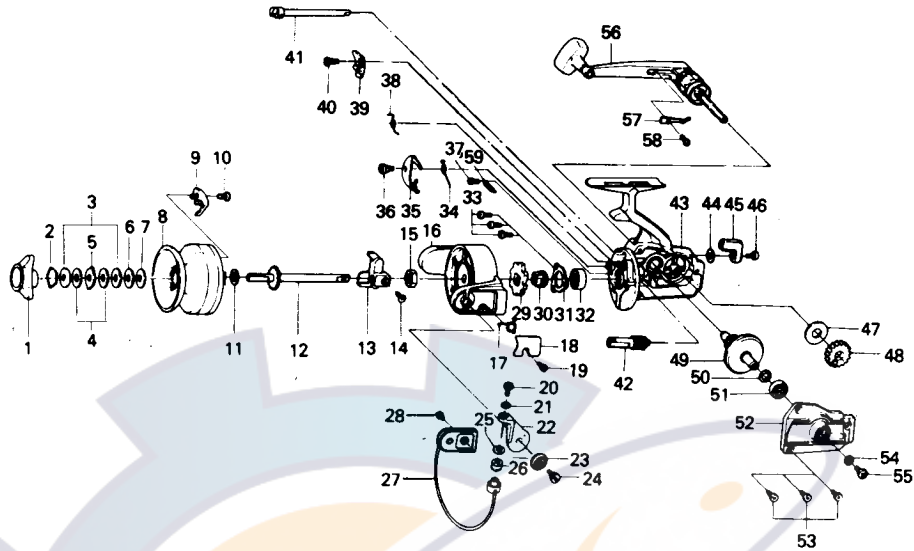


SPINNING REEL **GS-2**



LINE CAPACITY: 260 YDS., 10 LB. TEST (240m. 4.5kg)

Key No. 2 ~ 10
6-731-4603 Spool assembly \$15.60
Key No. 56 ~ 58
6-746-7901 Handle assembly 4.15

| Key No. | Parts No. | Parts Name | Price Per Piece | Key No. | Parts No. | Parts Name | Price Per Piece |
|---------|------------|--------------------------|-----------------|---------|------------|--------------------------------|-----------------|
| 1 | 6-740-2103 | Drag knob | \$2.00 | 31 | 6-635-9901 | Ball bearing ret. washer | \$.25 |
| 2 | 6-170-4001 | Drag washer retainer | .10 | 32 | 6-636-6001 | Ball bearing | 3.65 |
| 3 | 6-373-2502 | Drag D washer | .15 | 33 | 6-351-6601 | Ball bearing ret. washer screw | .10 |
| 4 | 6-374-2901 | Disc washer | .20 | 34 | 6-144-0211 | Click claw spring | .10 |
| 5 | 6-375-5301 | Drag A washer | .15 | 35 | 6-770-0801 | Click claw | .90 |
| 6 | 6-370-6901 | Drag washer A | .15 | 36 | 6-363-3013 | Click claw screw | .20 |
| 7 | 6-373-6602 | Drag washer B | .15 | 37 | 6-363-3301 | Click lever spring screw | .10 |
| 8 | 6-731-1002 | Spool | N/A | 38 | 6-144-0301 | Anti-reverse cam spring | .15 |
| 9 | 6-030-4411 | Spool click claw | .15 | 39 | 6-770-0731 | Anti-reverse claw | .90 |
| 10 | 6-351-6102 | Spool click claw screw | .10 | 40 | 6-363-3601 | Anti-reverse claw screw | .25 |
| 11 | 6-374-9002 | Spool washer | .10 | 41 | 6-461-5002 | Anti-reverse cam | 1.10 |
| 12 | 6-710-8702 | Main shaft | 1.10 | 42 | 6-402-3001 | Pinion gear | 1.90 |
| 13 | 6-481-0901 | Oscillating slider | .40 | 43 | 6-700-8001 | Body | 8.50 |
| 14 | 6-351-8901 | Oscillating slider screw | .10 | 44 | 6-373-2700 | Anti-reverse lever washer | .10 |
| 15 | 6-340-8301 | Rotor nut | .20 | 45 | 6-541-1901 | Anti-reverse lever | .15 |
| 16 | 6-201-7412 | Rotor | 3.75 | 46 | 6-352-2501 | Anti-reverse lever screw | .10 |
| 17 | 6-143-5311 | Bail spring | .15 | 47 | 6-375-0900 | Oscillating gear washer | .10 |
| 18 | 6-632-6411 | Bail spring cover | .15 | 48 | 6-413-1201 | Oscillating gear | .35 |
| 19 | 6-352-2501 | Bail spring cover screw | .10 | 49 | 6-413-1301 | Drive gear | 2.05 |
| 20 | 6-353-1811 | Bail screw | .20 | 50 | 6-371-2820 | Drive gear washer | .10 |
| 21 | 6-375-1001 | Bail washer | .10 | 51 | 6-636-6001 | Ball bearing | 3.65 |
| 22 | 6-231-1801 | Arm lever | 1.35 | 52 | 6-705-8604 | Body cover | 3.60 |
| 23 | 6-130-3201 | Bail holder cap | .10 | 53 | 6-351-8501 | Body cover screw | .10 |
| 24 | 6-363-1901 | Arm lever screw | .30 | 54 | 6-371-9521 | Handle washer | .10 |
| 25 | 6-501-1601 | Roller collar | .20 | 55 | 6-351-3631 | Handle screw | .30 |
| 26 | 6-250-4201 | Line roller | .30 | 56 | 6-746-7901 | Handle arm | N/A |
| 27 | 6-725-5521 | Bail | 2.55 | 57 | 6-144-1211 | Handle leaf spring | .10 |
| 28 | 6-351-6601 | Bail holder screw | .10 | 58 | 6-352-0401 | Handle leaf spring screw | .10 |
| 29 | 6-280-5301 | Ratchet | .60 | 59 | 6-144-1211 | Click lever spring | .15 |
| 30 | 6-270-7001 | Click gear | .30 | | | | |